

C - SERIES

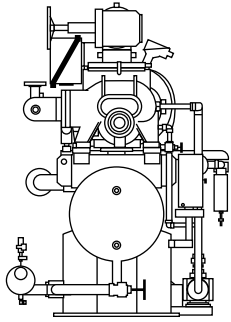
COMPOUND TWO STAGE SCREW COMPRESSOR

MYCOM

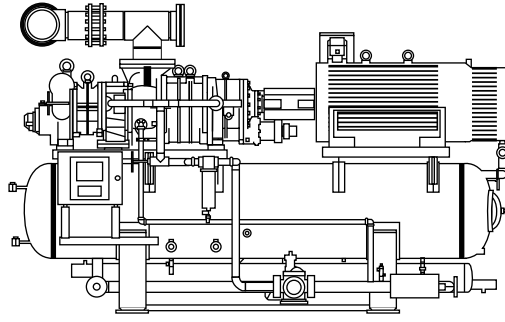


MAVEKAWA

SPECIFICATIONS



Side View



Front View

THE POWER OF ONE

By design, only ONE OF EVERY COMPONENT is required instead of TWO.

ONE compressor, ONE motor, ONE oil separator, ONE oil cooler, ONE control panel, and ONE of...

MINIMIZING FOOTPRINT:

ONE OF EVERY COMPONENT means less space is required for our compressor package than that of the typical separate two-stage compressor design.

Also, no intercooler is needed as booster compressor gas is cooled by oil injection and economizer gas.

MINIMIZING YOUR COST:

ONE OF EVERY COMPONENT also means less money is spent using only one compressor, motor, control panel, motor starter, pipe, valve and fittings, INSTEAD OF TWO.

From material cost to installation cost, your budget will be minimized.

FEATURES

By coupling the high stage and low stage compressor rotors, Mycom offers our internally compounded two-stage compressor, C-Series COMPOUND COMPRESSOR.

Our compound screw compressors combine all advantages of a typical separate two stage system into one package.

“The whole is more than the sum of its parts.”

APPLICATION

Two-stage system
Low Temperature
High Compression Ratio

HOW LOW DO WE GO?

Without suction super heating, suction temperatures can be as low as -80°F (-62°C).

SIZE DOES MATTER

From 103-cfm to 8,120-cfm of swept volume @ 3550 rpm, our compound compressors can handle most capacity requirements.

MODEL#	SPEED RPM	DISPLACEMENT (CFM)	
		LOW STAGE	HIGH STAGE
1610SLC-62	2610*	215	79
1610SLC-63	3160*	260	96
1610SLC-64	3870*	317	118
1612SLC	3550	294	139
1612LLC	3550	441	210
2016SSC	3550	574	294
2016MSC	3550	718	294
2016LSC	3550	859	294
2520SSC	3550	1120	574
2520SLC	3550	1120	859
2520MSC	3550	1400	574
2520LSC	3550	1670	574
2520LMC	3550	1670	718
3225SSC	3550	2250	1120
3225MSC	3550	2800	1120
3225LSC	3550	3350	1120
3225LLC	3550	3350	1670
4032SSC	3550	4590	2250
4032SLC	3550	4950	3350
4032MSC	3550	5770	2250
4032MLC	3550	5770	3350
4032LSC	3550	6890	2250
4032LLC	3550	6890	3350
4032LLSC	3550	8120	2250
4032LLLLC	3550	8120	3970

*Driven by 1750 RPM motor / integrated gear.

*Not all models are shown on the table.

*Design and specifications subject to change without notice.

The motor horsepower ranges from 30 hp through 3000 hp.

FLEXIBILITY

In each compound compressor, booster and high stage combination are engineered to match your requirement.

Various Vi combinations are selected to maximize the compressor efficiency.

This means optimal capacity using the lowest BHP.

Currently, over 50 possible model combinations are ready to meet your need.

Please contact your local Mycom Office for more information.

MAYEKAWA NORTH AMERICAN GROUP

MYCOM www.mycomus.com / www.mycomcanada.com

Torrance, CA Tel: (310) 328-1362 Fax: (310) 782-6759
 Modesto, CA Tel: (209) 545-9752 Fax: (209) 545-3654
 San Antonio, TX Tel: (210) 599-4536 Fax: (210) 599-4538
 York, PA Tel: (717) 779-0138 Fax: (717) 779-0109
 Montvale, NJ Tel: (201) 307-9199 Fax: (201) 307-1566
 Seattle, WA Tel: (206) 284-9280 Fax: (206) 284-7230

(Canada)
 Vancouver, BC
 Toronto, ON

Tel: (604) 270-1544 Fax: (604) 270-9870
 Tel: (905) 564-0664 Fax: (905) 564-7614